

Planter

1m² ecological planter engineered from recycled farm materials

Assembly instructions

www.justaddgreen.co.uk

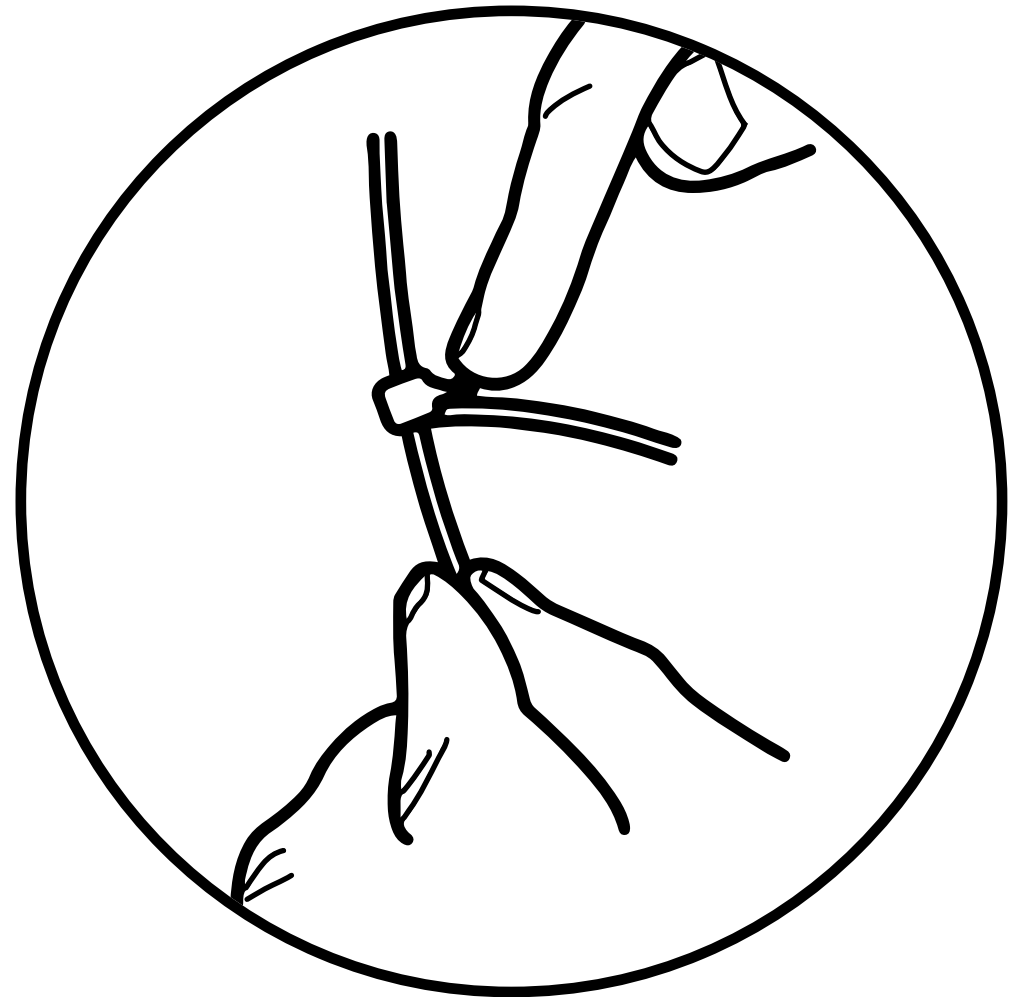


Warning

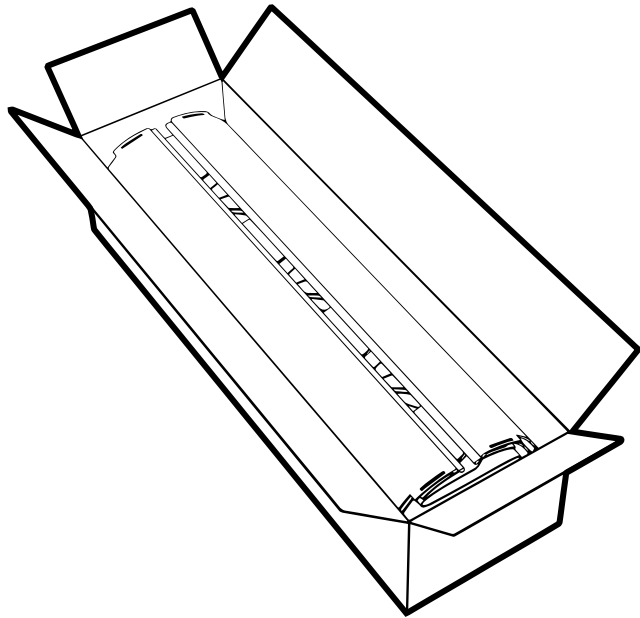


Before you start - do not cut any cable ties.

The kit is held together by 4 cable ties. Release these using your fingers and keep them safe - **you'll need them later!**



The package

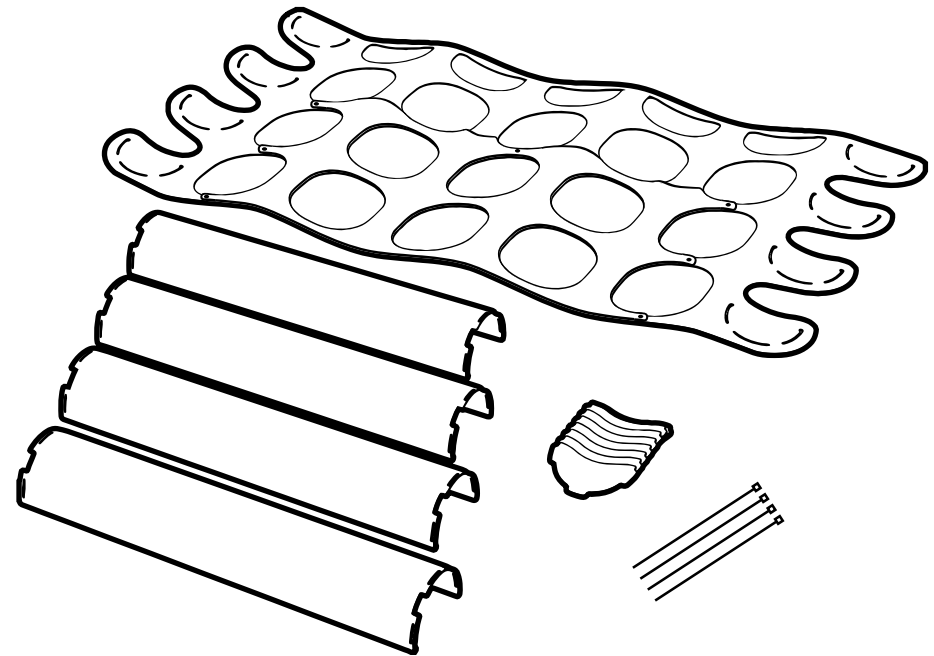


Place the box on a flat surface and remove all contents.

Again, **do not cut any cable ties** - you will need them later. We are aiming to reuse our packaging and keep waste minimal as much as possible.

Planter by *just*
just add green

Contents



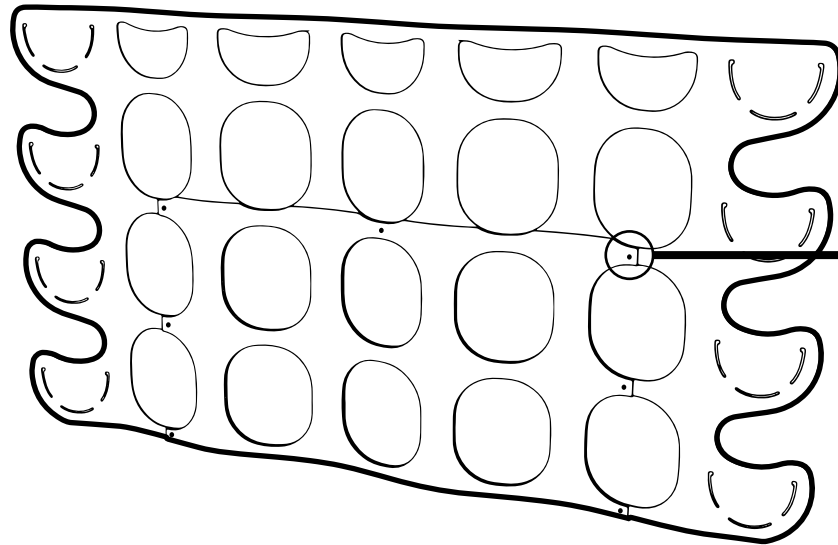
The package contains:

Main frame (with support frame attached by rivets)
4x troughs
8x tabs
4x cable ties

www.justaddgreen.co.uk

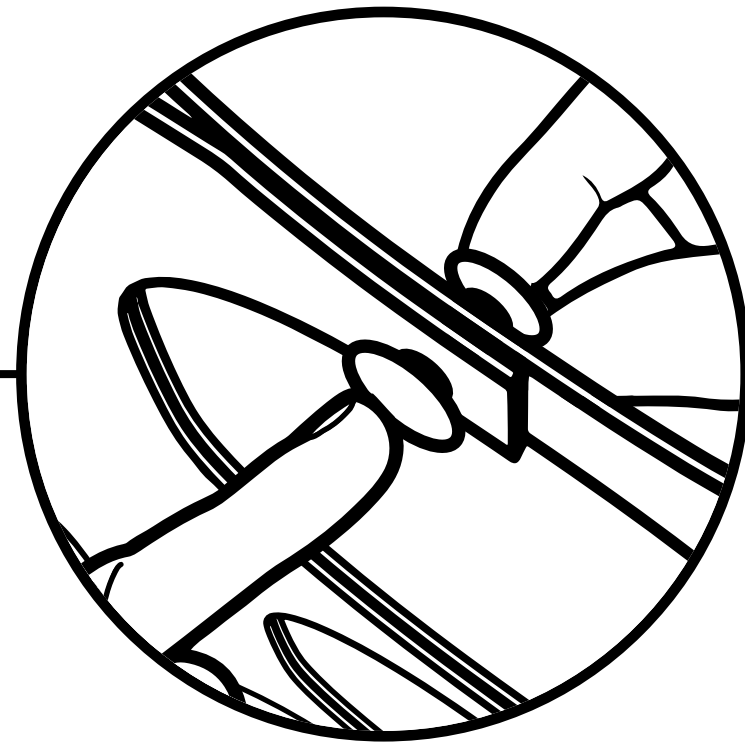


1 Assembly



Locate all 7 rivets securing the smaller support panel to the main frame.

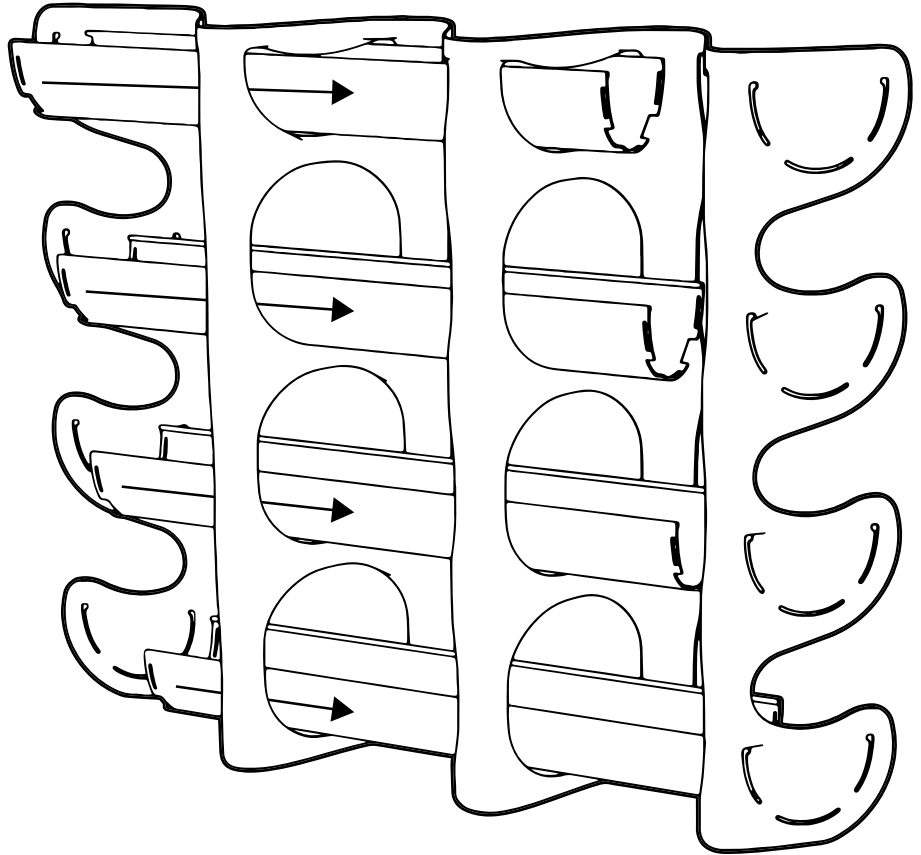
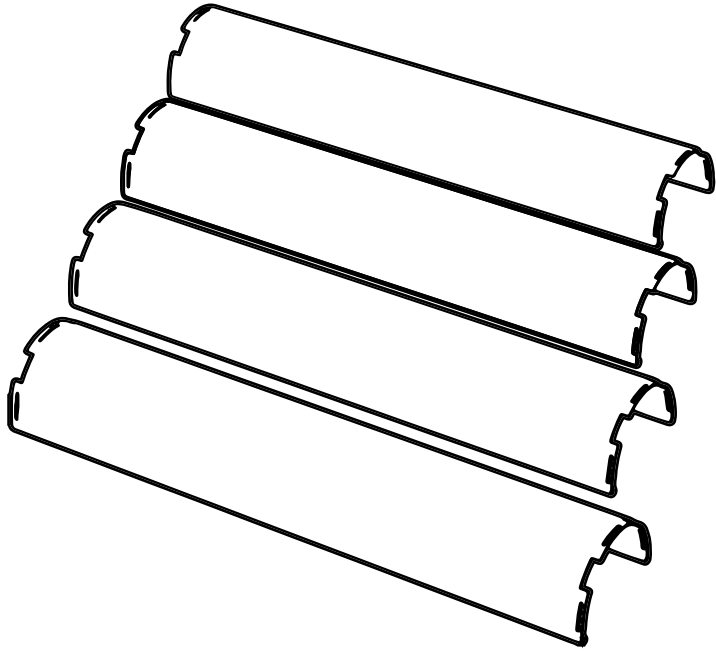
2



Push rivets from both sides to snap them together to fix both components of main frame.



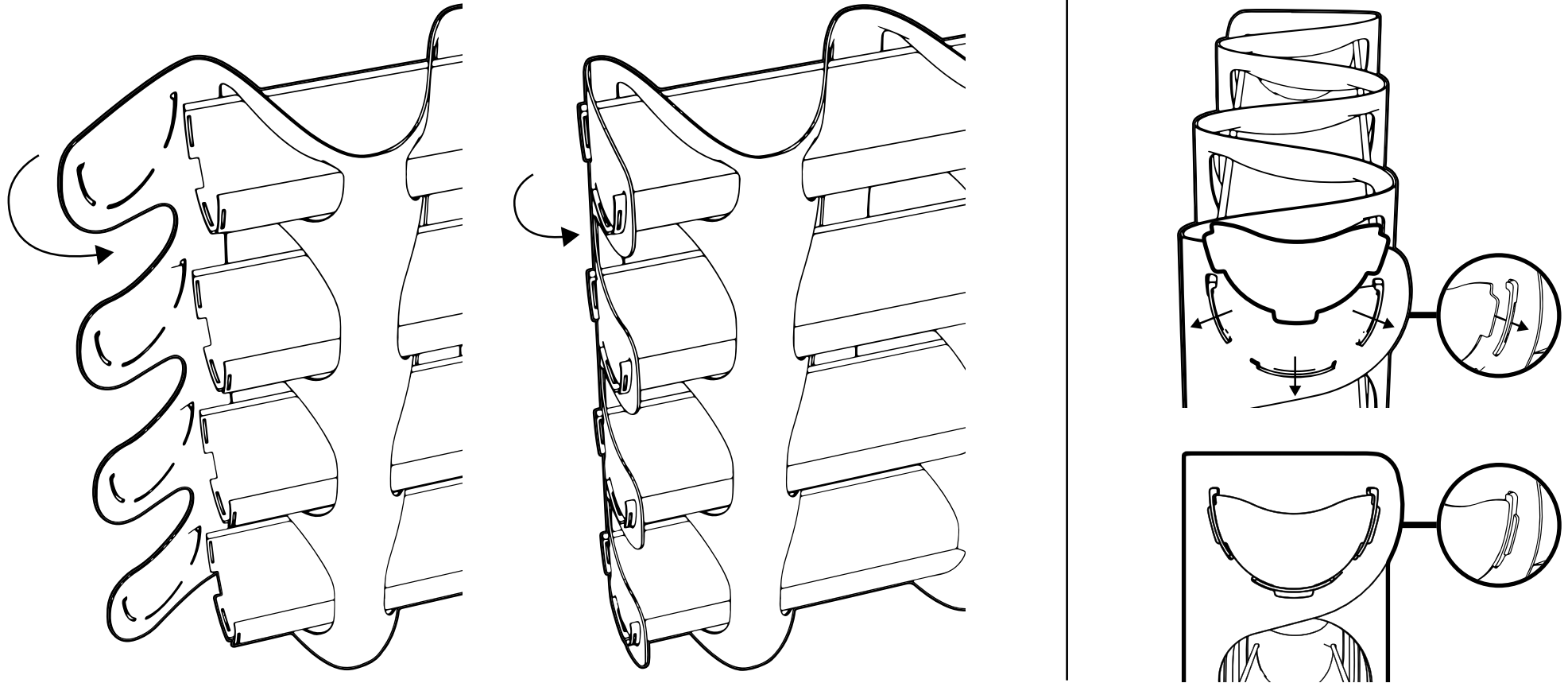
3



Prepare four troughs and slide them through the middle of the main frame.



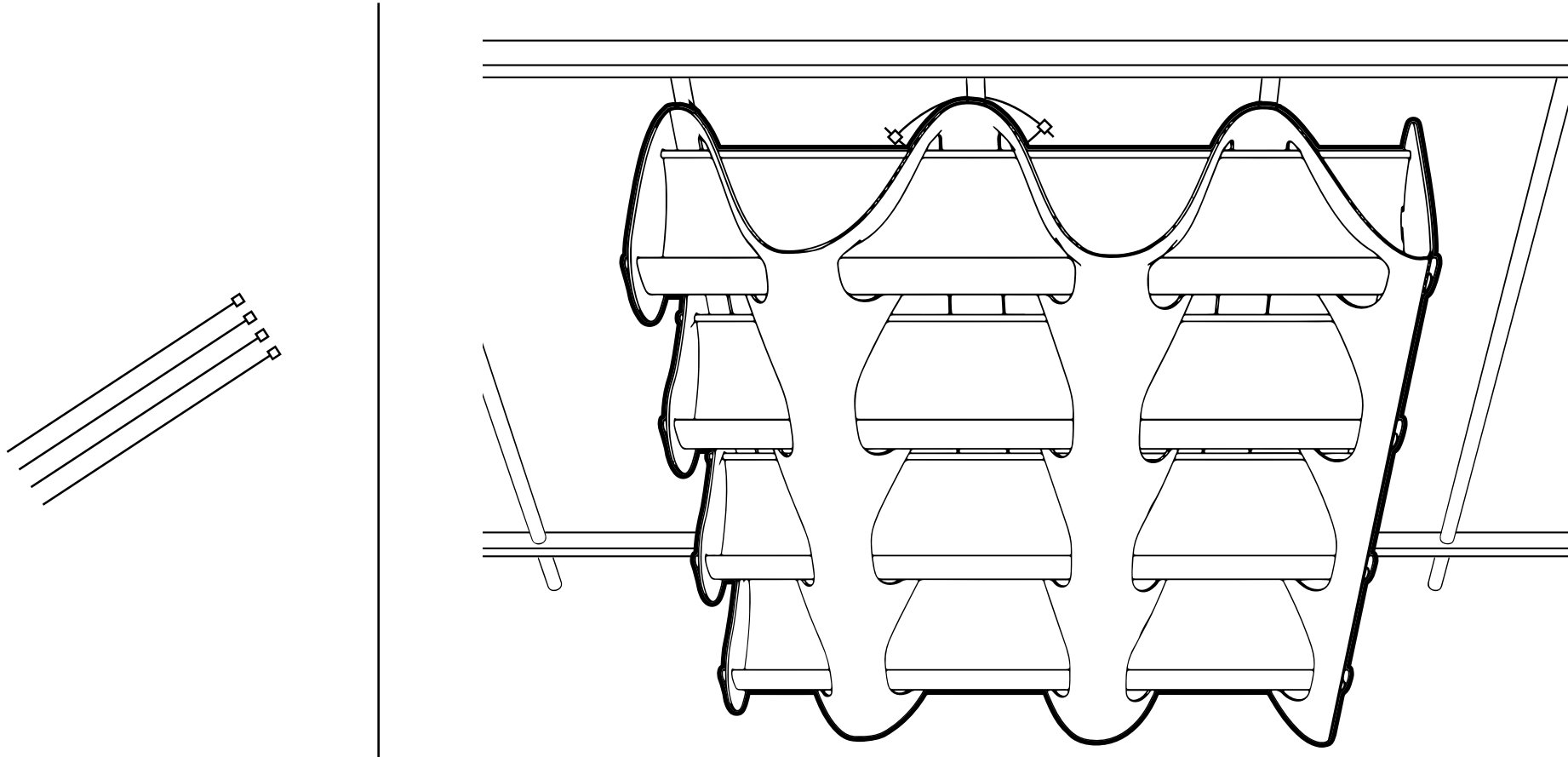
4



Find something or someone to push against. Insert the troughs through the end panel. Insert tab wings through the slots in the trough ends projecting through. Make sure each of the three wings on tabs are fully through. Repeat on other side.



5



Attach the main frame to railings using the cable ties. Tip - if extra length is required, two cables can be joined together.

